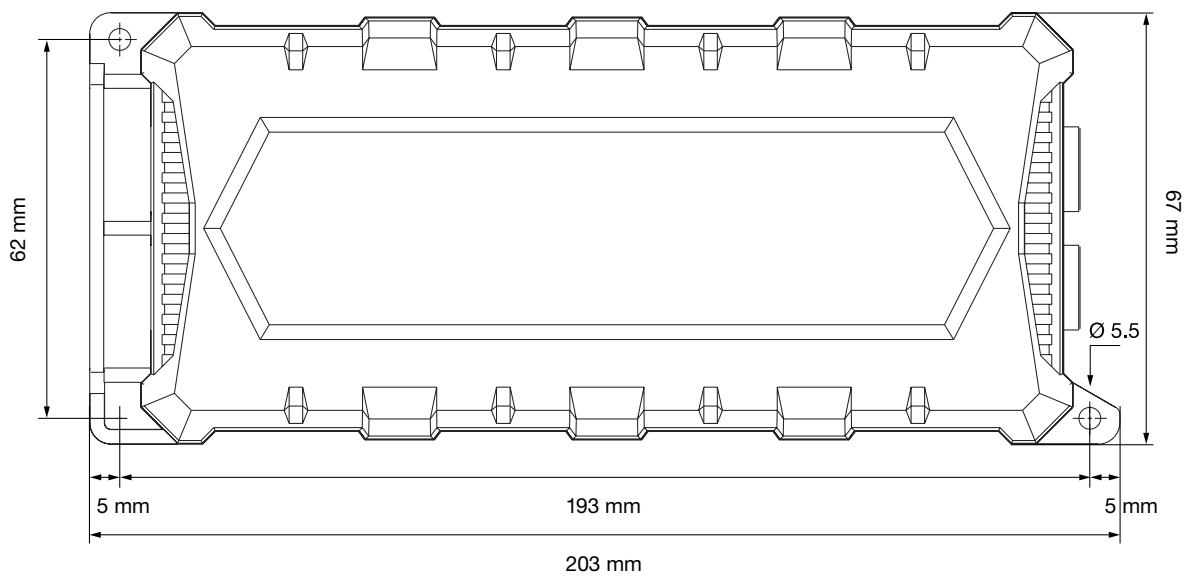
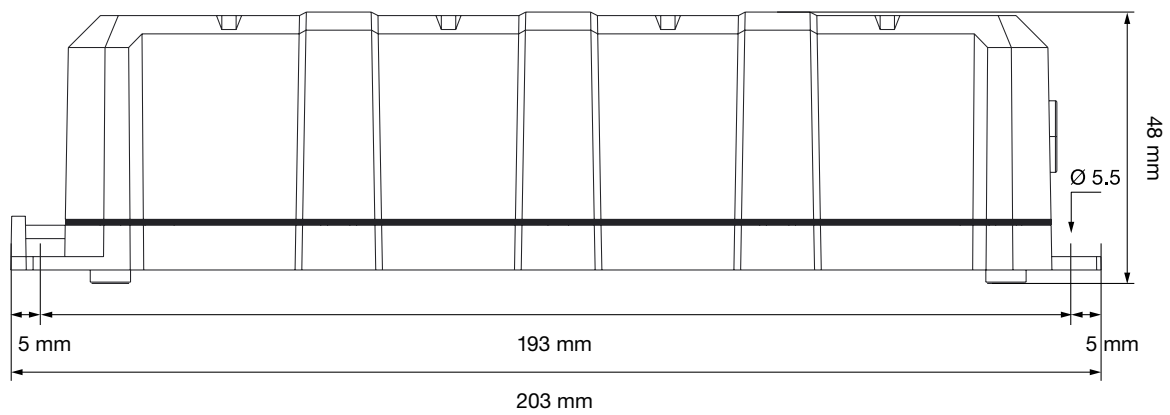


Bemaßungen PL-C004P
Dimensioning PL-C004P



Staudte Hirsch

designed in Germany.
Powered by IVT

© IVT 10/2018